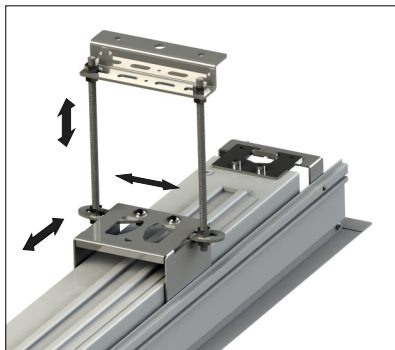
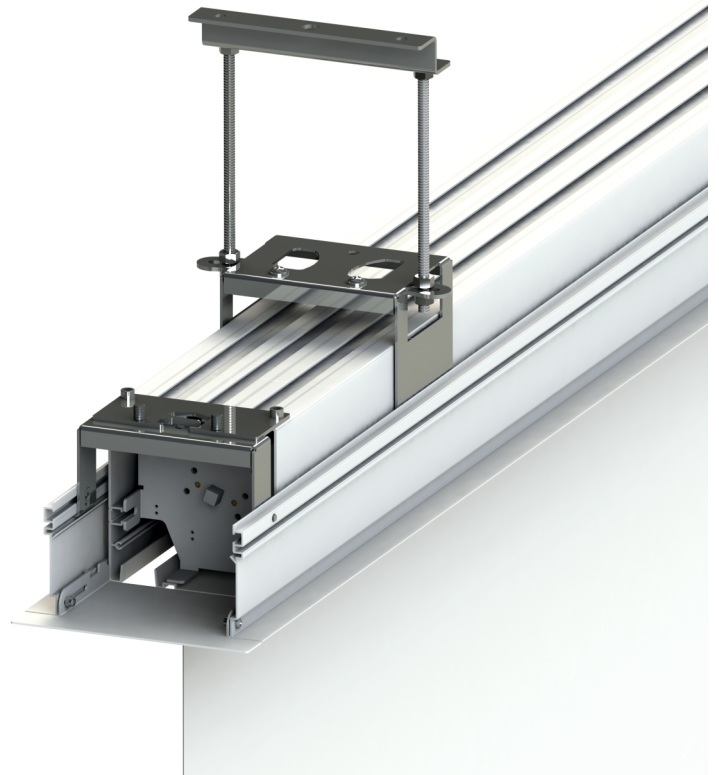
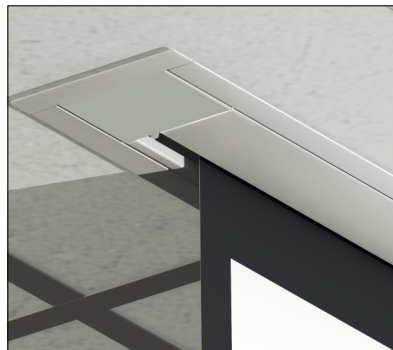


INSTALLATION FRAME OF THE NEXT GENERATION FOR INTEGRATION OF MOTOR DRIVEN SCREENS IN SUSPENDED CEILINGS, BASED ON A FORM CLOSURE SOLUTION AND HORIZONTAL MOVEABLE ASSEMBLING ANGLES

- Very sturdy and stable by a front- and reverse profile across the complete lengths of the installation frame, colour white structural RAL-9003.
- Installation frame Plus of the new generation will be equipped in the area of both inspection claps with two elongated holes in order to have more scope for installation.
- The mounting brackets for the threaded rods can be moved across the complete length of the installation frame in order to adapt them to the conditions of many rooms.
- The hanger for the threaded rods at the mounting brackets can be folded out (assembling in open ceilings) or folded in (assembling inside the frame in the case of closed ceilings based on a cut-out in this ceiling).
- The holder for the threaded rods are equipped with elongated holes for the compensation of tolerances in assembling.
- Integration of the screen housing into the installation frame plus by one movement by a form closure mechanism through the combination of mounting plates at the headpieces of the screen housing and the structure of both bails at the installation frame plus.
- In cases of maintenance are no ceiling workers necessary.
- Compatible with products Rollo Standard Electric, Rollo Pro Electric, Rollo Pro TabTension.



Mount setting adjustable in all three axis



Finally ceiling installation



Inspection claps

Mod	Cross section in cm	Suitable for projection screen - width in cm	Code no.	Weight gross/net in kg	Package size in cm
180	8.5	Rollo Standard 180 cm	50270180	8.5 / 6	220x20x18
200	8.5	Rollo Standard 200 cm	50270200	9.5 / 7	240x20x18
	10.5	Rollo PRO 200 cm / 190 cm - TabTension	50274200	9.5 / 7	240x20x18
240	8.5	Rollo Standard 240 cm	50270240	10.5 / 8	280x20x18
	10.5	Rollo PRO 240 cm / 230 cm - TabTension	50274240	10.5 / 8	280x20x18
270	10.5	Rollo Standard 270 cm	50274270	11.5 / 9	310x20x18
	10.5	Rollo PRO 270 cm / 260 cm - TabTension	50274270	11.5 / 9	310x20x18
300	10.5	Rollo Standard 300 cm	50274300	13 / 10	340x20x18
	10.5	Rollo PRO 300 cm / 290 cm - TabTension	50274300	13 / 10	340x20x18
330	13	Rollo PRO 330 cm / 320 cm - TabTension	50277330	14 / 11	370x20x18
350	13	Rollo PRO 350 cm / 340 cm - TabTension	50277350	15.5 / 12	390x20x18
400	13	Rollo PRO 400 cm / 390 cm - TabTension	50277400	18 / 14.5	440x20x18