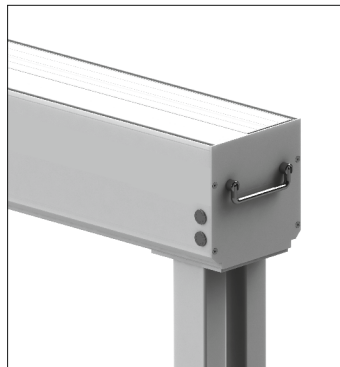


PREMIUM MOTOR-DRIVEN PROJECTION SCREEN IN AN ALUMINIUM HOUSING WITH REVERSE (ROLL-UP) PROJECTION SURFACE. IDEAL FOR CHURCHES, CASTLES AND THEATRES. PRODUCT IS USABLE AS INSTALLATION INTO FURNITURE AND FLOORS.

- Innovative aluminium protection box with square cross section 20 x 20 cm with open access. Colour of housing and bottom weight profile: white RAL-9003.
- Two stabil steel stands with 4 rollers for easy moving of screen.
- With a sturdy maintenance-free tubular motor SOMFY 230 Volt/50 Hz, protective class IP44, four wire connection, built-in thermal protection. Automatic electrical top and bottom end switches.
- Easy operation by two safety switches with chrome design and vandal protection. Movable of projection screen by two chrome hinged handles.
- The trapezoidal upper profile closes the protective housing flush when rolling down the screen surface; essential for integration in furniture assemblies and floor installations.
- Projection surface Blankana SEA – high quality woven projection screen with fire resistance according to European Standard B1, roll width 500 cm, grammage 1000 g / m², thickness 0.7 mm.
- Customized sizes and colours, black framed projection screen, other height of stand and more another accessories on request.



Safety switches with chrome design for roll and unroll of the projection surface



Precise closing of screen box with upper ledge - ideal for product installation into furniture assembly



Rear cross-profile system with gas springs for perfect tensioning of the screen surface



For placement in space and free moving are two stands with 4 rollers included

Mod	Overall / Image size in cm (W x H)	Code no.	Weight gross/net in kg	Package size in cm	Cross section in cm	Screen surface
250	250x200 / 250x200	802520	165/90	400x30x40	20	Blankana SEA
300	300x250 / 300x250	803025	185/100	450x30x40	20	Blankana SEA
350	350x300 / 350x300	803530	205/110	500x30x40	20	Blankana SEA
400	400x300 / 400x300	804030	225/120	550x30x40	20	Blankana SEA