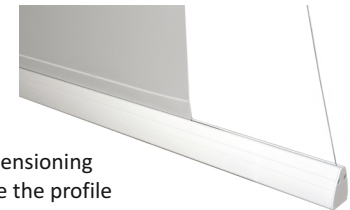
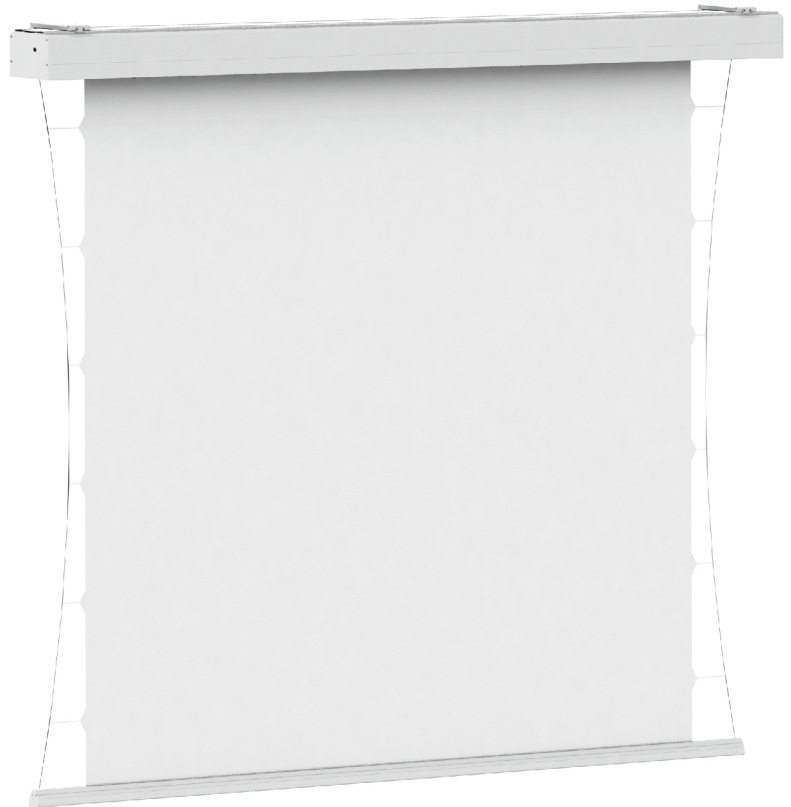


THE STATIONARY MOTORIZED LARGE VENUE SCREEN WITH ALUMINIUM PROTECTION BOX AND TENSIONING SYSTEM FOR TRADE SHOWS, CONFERENCE HALLS, THEATERS AND CINEMAS

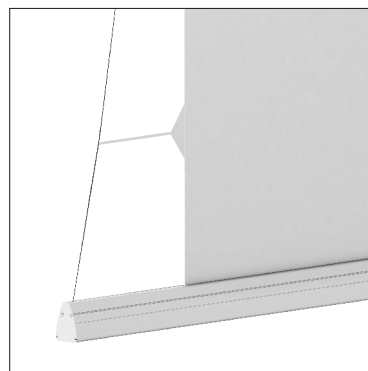
- Innovative aluminium protection box with square cross section 20 x 20 cm with open access. Colour of housing and bottom weight profile: white RAL-9003.
- Mounting brackets for wall / ceiling installation are included in delivery. Mounting grooves across full length of protection box - possibility of using various fastening elements.
- Perfectly flat viewing area with use of side tensioning system.
- The trapezoidal bottom weight profile closes the protective housing flush when rolling up the screen surface.
- Easy and safe handling due to an electrical drive. Automatic electrical end switch at the top and bottom.
- With a sturdy maintenance-free SOMFY tubular motor 230 Volt/50 Hz, protective class IP44, four wire connection, built-in thermal protection.
- In-wall switch (Up/Stop/Down).
- Installation frame for integration in suspended ceilings as optional.
- The screen surface is certified to the high level of non-flammability B1 (French M1) according to DIN 4102.
- Customized sizes, different types of screen surfaces and other accessories on request.



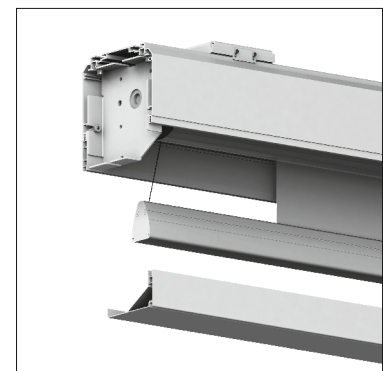
New design of weight bar with tensioning system hidden completely inside the profile



Metal construction of housing and other metal parts coated with matt colour tone RAL-9003



Special tensioning system on the both sides of screen for perfect flatness of projection surface



Complete open access to the screen surface by means of cover at bottom side of the protection box

Mod	Overall / Image size in cm (W x H)	Code no.	Weight gross/net in kg	Package size in cm	Cross section in cm	Screen surface
350	350x250 / 350x250	61001	160/95	470x30x45	20	Matt White W
	350x300 / 350x300	61009	160/95	470x30x45	20	Matt White W
400	400x300 / 400x300	61011	180/102	520x30x45	20	Matt White W
	400x400 / 400x400	62156	185/105	520x30x45	20	Matt White W
500	500x400 / 500x400	62160	210/120	620x30x45	20	Matt White W
600	600x400 / 600x400	62163	230/130	720x30x45	20	Matt White W